

HDV
FIBER

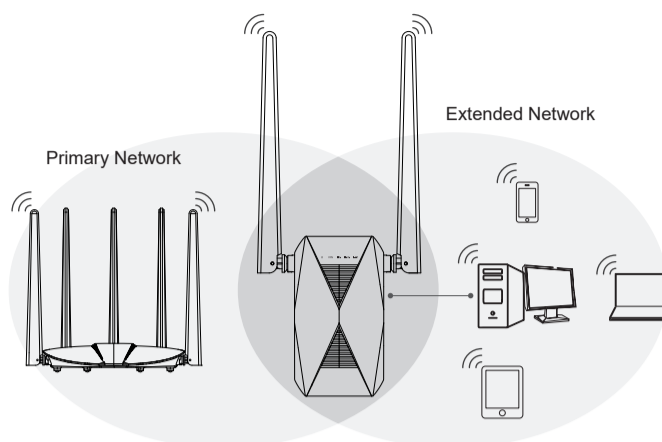
Quick Installation Guide

AC1200 Dual Band Wi-Fi Range Extender

Model: EX1200T

V1.0 | 1808

Hardware Connection



Button and Port Explanation

| | |
|-----------------|---|
| LAN Port | For connecting your computer |
| RST Button | Press and hold this button for more than 5 seconds to reset the extender to its factory default settings |
| 2.4G WPS Button | One click extension. After starting the WPS function of the upper router, press the WPS button on the extender and then the extender can connect to the wireless router |
| 5G WPS Button | One click extension. After starting the WPS function of the upper router, press the WPS button on the extender and then the extender can connect to the wireless router |

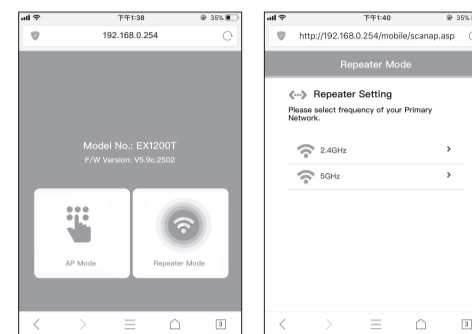
LED Explanations

| | | | |
|-------|---|------|---|
| Power | Solid on: The extender is on | 5G | Off: No connection |
| | Off: The extender is off | | Green light on: Signal quality on 2.4GHz band is best |
| CPU | Flash every 2 seconds: The extender is working properly | 2.4G | Orange light on: Signal quality on 2.4GHz band is not so good |
| | Flash quickly: After pressing the RST button for 5 seconds | | Off: No connection |
| 5G | Solid on: It remains solid on for 2 minutes after pressing WPS button | LAN | Blue light on: Network cable was connected on LAN Port |
| | Green light on: Signal quality on 5GHz band is best | | Blue light off: No network cable connected |
| | Orange light on: Signal quality on 5GHz band is not so good | | Blue light blinking: Data is being transmitted |

Quick setup for EX1200T

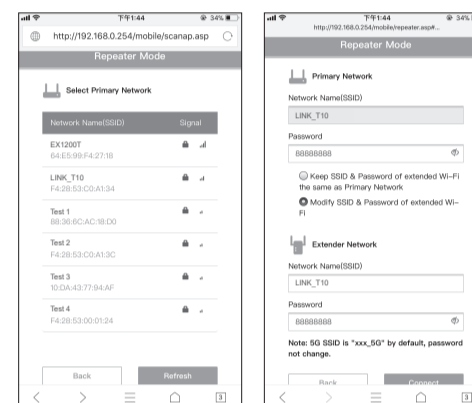
Option 1: Using your phone

1. Plug the extender into an electrical outlet near your router. Go to Wi-Fi Settings on your phone. Find the SSID "EX1200T" and connect to it. Open any browser and enter 192.168.0.254 on address bar, then it jumps to configuration interface as below. Select corresponding working mode according to your actual needs. Here we take Repeater Mode for example.

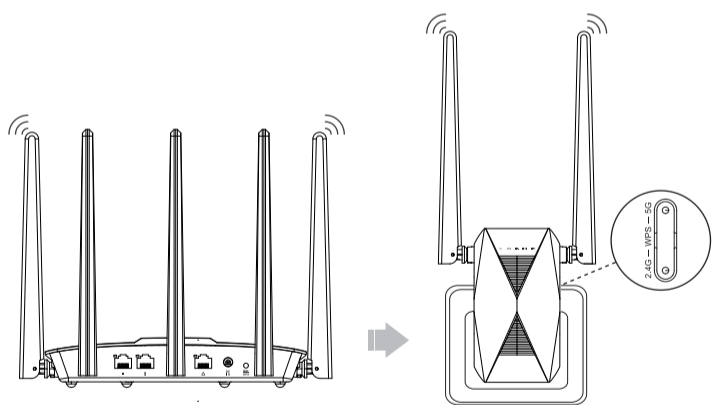


2. Select your router's 2.4GHz and 5GHz primary network and enter the password, then click "connect". It indicates successful connection when the 2.4G/5G green LED remains solid on.

【You can either keep the same SSID as your Primary network or create new names for the extended networks. For new SSID, please click "Modify SSID & Password of extended Wi-Fi"】



Option 2: Using WPS(Wi-Fi Protected Set-up)



Please use Option1 if your router doesn't support WPS

1. Plug the extender into an electrical outlet near your router (we suggest within two meters), and wait until it gets started.
2. Press the corresponding WPS button (2.4G/5G) of the extender according to your actual relay needs, and then press the WPS button on the router (if your upper router is 2.4G band, please press 2.4G WPS button, or press 5G WPS button).
3. Wait a moment and it indicates OK when the 2.4G/5G green LED remains solid on.
4. After it's done, please move the extender to the location of the router's wireless signal coverage hole. Wait about 1 minute and observe the 2.4G/5G LED's color to ensure that the extender is in place.

Warning:

- Cut down the electric power and all the connections on thunder and raining weather;
- Pay attention to waterproofing in its storage, transportation and application;
- Stay away from heat source and keep ventilation.

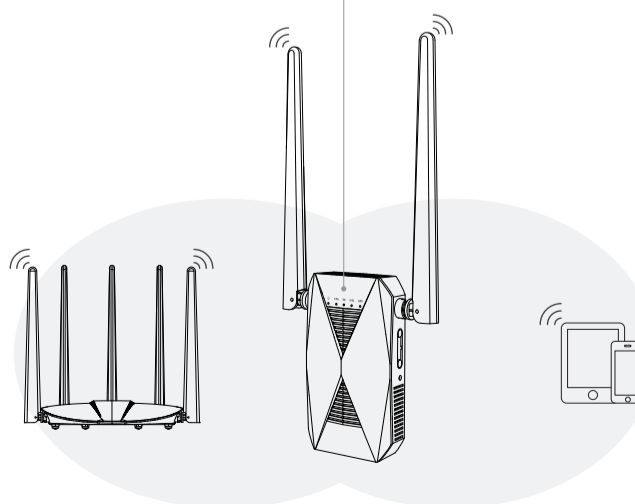
Adjust the position of the Extender

1. After the setting is complete, your extender can be moved to somewhere else. There is no need to configure it again when it was unplugged from the outlet. After the system gets restarted, the extender will automatically extend your wireless network.
2. To achieve a good signal quality, please check whether the 2.4G/5G LED indicator remains solid on green. If not, relocate it close to the router.
 - Green light on: Right location and best signal quality.
 - Orange light on: The signal quality is not very good and we suggest relocating it close to the router.
 - Light off: Please relocate it close to the router.
3. Connect your WiFi devices to the repeater using the SSIDs set by yourself, or your router's/modem's SSID and using the WiFi password same as your existing WiFi network.

Warm tips:

- Please put your extender in a place where there is no obstacle.
- To avoid band interference, your extender needs to maintain a certain distance from these home appliances that generally operate in the 2.4 GHz band such as microwave ovens, bluetooth.

Green light on: Ideal location
Orange light on: Too far away from router



Frequently asked questions

Q1: How can I set up the extender by using a Web browser?

A1: First plug the extender into an electrical outlet near your router and wait until it gets started. Then connect the computer and the router through the network cable (or through wireless connection). Open any browser, enter 192.168.0.254 on address bar and it'll jump to the configuration interface; then choose repeater mode in this configuration page. Next, select the SSID of upper router and enter the password of that in the password box; then click "connect" and it will get started relaying.
【To modify the network name and password that has been relayed, please check "Modify SSID & Password of extended Wi-Fi" and then enter New SSID and password on the textbox.】

Q2: What should I do if I cannot access the extender's phone-based interface?

A1: Make sure your phone is connected to the Extended network SSID.
A2: Verify that 192.168.0.254 is correctly entered in phone browser.
A3: Reset the repeater, and try again.

Q3: Does this extender support simultaneous 2.4G and 5G signal extension?

A: No, it doesn't. You can only relay one of them.

Q4: How do I restore the extender to its factory default settings?

A: While the extender is powered on, press and hold the Reset button until all the LEDs turn on momentarily.

FCC warning:

This device complies with Part 15 of the FCC Rules. Operation is subject to the following two conditions: (1) this device may not cause harmful interference, and (2) this device must accept any interference received, including interference that may cause undesired operation.

changes or modifications not expressly approved by the party responsible for compliance could void the user's authority to operate the equipment.

NOTE: This equipment has been tested and found to comply with the limits for a Class B digital device, pursuant to Part 15 of the FCC Rules. These limits are designed to provide reasonable protection against harmful interference in a residential installation. This equipment generates, uses and can radiate radio frequency energy and, if not installed and used in accordance with the instructions, may cause harmful interference to radio communications. However, there is no guarantee that interference will not occur in a particular installation. If this equipment does cause harmful interference to radio or television reception, which can be determined by turning the equipment off and on, the user is encouraged to try to correct the interference by one or more of the following measures:

- Reorient or relocate the receiving antenna.
- Increase the separation between the equipment and receiver.
- Connect the equipment into an outlet on a circuit different from that to which the receiver is connected.
- Consult the dealer or an experienced radio/TV technician for help.

FCC Radiation Exposure Statement:

This equipment complies with FCC radiation exposure limits set forth for an uncontrolled environment. This transmitter must not be co-located or operating in conjunction with any other antenna or transmitter. This equipment should be installed and operated with minimum distance 20cm between the radiator & your body.